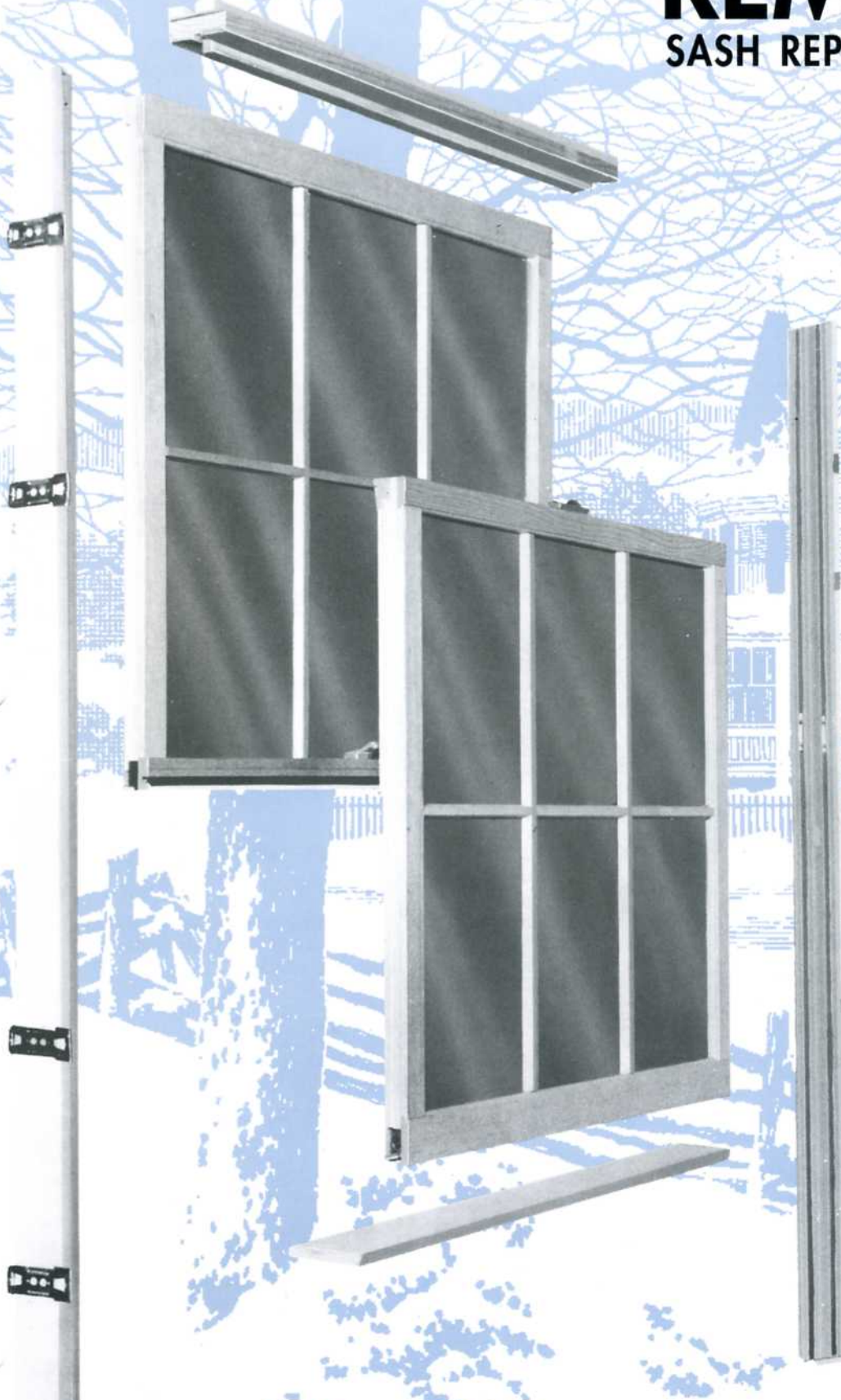


The **REMODO KIT**
SASH REPLACEMENT SYSTEM



By



*A tradition of
wood windows*

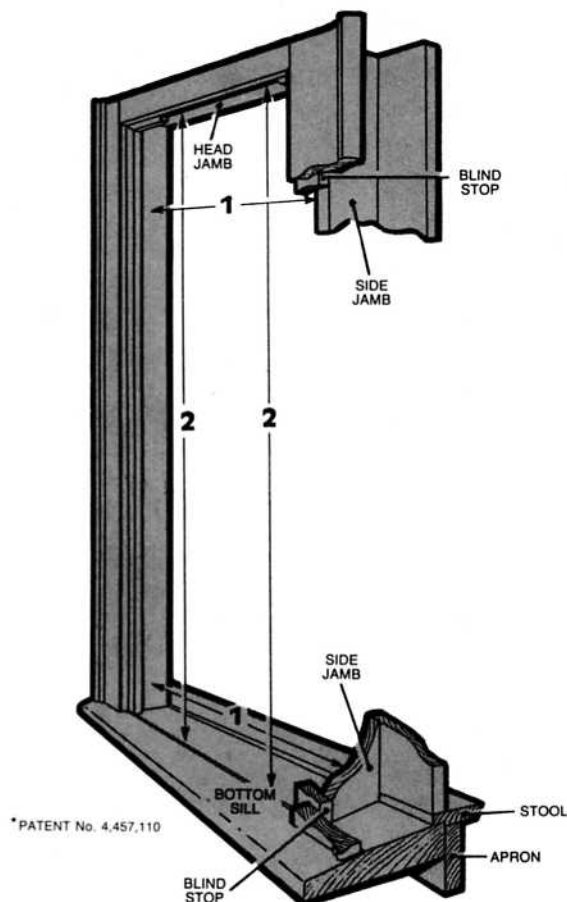


R•O•W REMOD KIT

— SPECIFICATIONS —

Energy efficient wood double hung window kit designed to replace the existing problem double hung window sash. The kit is easily installed in each existing double hung frame from the inside of the house. The 5-point weatherstripping system includes beige vinyl tilt style balances and *adjustable head piece and *sill piece to allow for out of square openings and sizes, and each REMOD KIT includes all necessary installation hardware.

The R•O•W REMOD KIT has been designed to fit a sash opening that is 4" wider than the glass width and 2 times the glass height plus 6". New 1 3/8" sash are easily installed where some old sash are 1 3/4", by installation of a filler strip between the vinyl tilt balances and blind stop.



* PATENT No. 4,457,110

THE REMOD KIT INCLUDES:

- 1) INSTALLATION INSTRUCTIONS.
- 2) TOP AND BOTTOM SASH.
- 3) A SET OF SASH BALANCES.
- 4) ADJUSTABLE HEAD WEATHERSTRIP.
- 5) A SILL CAP.
- 6) ALL INSTALLATION HARDWARE

HOW TO ORDER

1. REMOD KITS are sold by overall glass size of each sash — order glass width first, then glass height.
2. SELECT:
 - Insulating Glass
 - Low-E Insulating Glass
 - Single Glazed 2-light 1/1
 - Authentic Divided Light, single glazed only
3. EXTERIOR CHOICE:
 - Primed
 - Aluminum clad — white, tan or bronze
 NOTE: Single glazed REMOD KITS are available primed only.
4. OPTIONAL:
 - Wood removable grilles
 - * Aluminum full screens — white, tan, or bronze
 - * Aluminum 2-track combination screen and storm windows — white, tan, or bronze
 *Exterior opening measurements must be furnished.

HOW TO MEASURE

DIMENSION 1

Width Measurement example:

Measure: sash opening width = 36 1/8" less 4" = 32 1/8" which determines glass width (rounded off) of 32".

NOTE: some existing windows have side tracks or balances. . . allow for increased opening size width when these are removed.

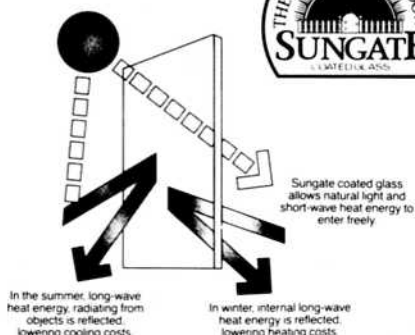
DIMENSION 2

Height Measurement example:

Measure: sash opening height = 54 1/4" less 6" = 48 1/4" ÷ 2 = 24 1/8" which determines glass height (rounded off) of 24" per sash.

Thus: order 32 x 24 REMOD KIT — **Order width first and height second.** — OR —

Measure the glass in your existing window sash as though you broke the glass. Consider the puttied over portion of the glass, as well as what you can see.



- Reduces Energy Costs.
- Increases resistance to carpet and drapes fading.
- Improves comfort levels.
- Minimizes condensation.

R•O•W Double Hung windows with Low E glazing feature SUNGATE 100* coated glass manufactured by PPG Industries, Inc.